

# Slipso-400

A Speed 400 Club Pylon Racer

Motor: Speed 400 brushed, 7-8 cell  
 Span: 750mm  
 Length: 560mm  
 AUW: 350-400g

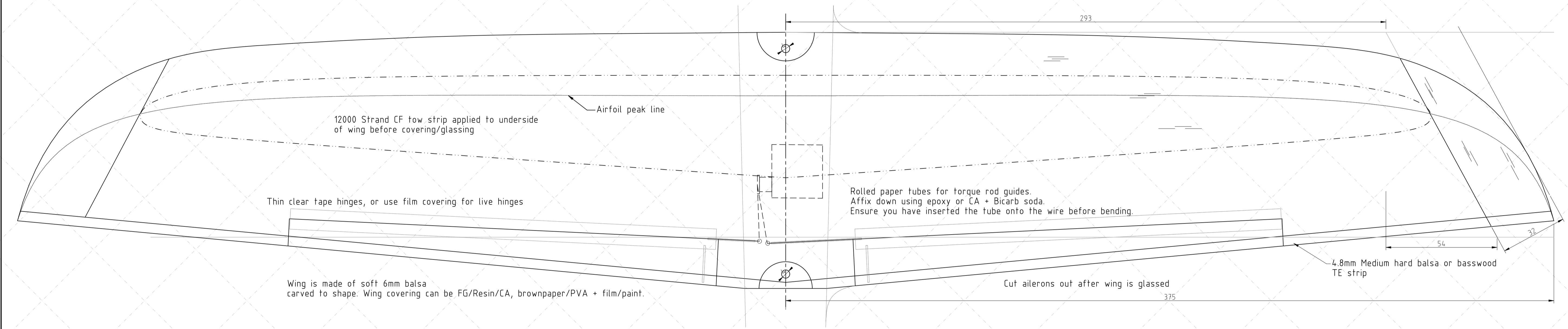
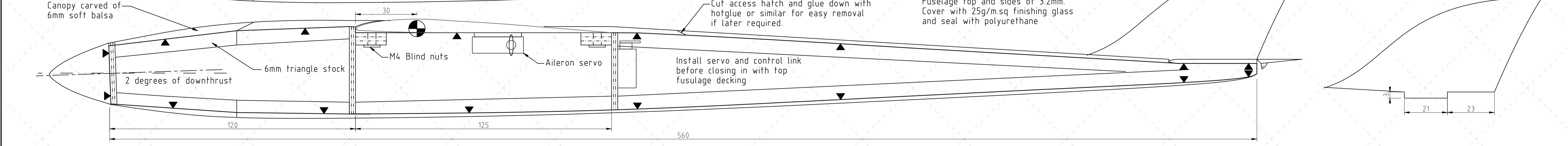
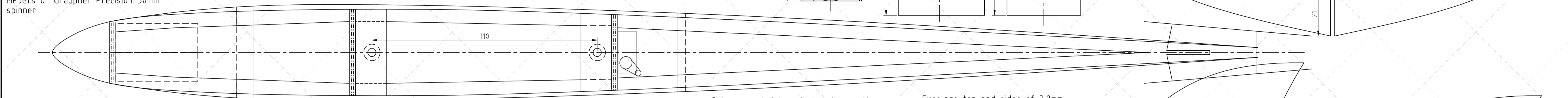
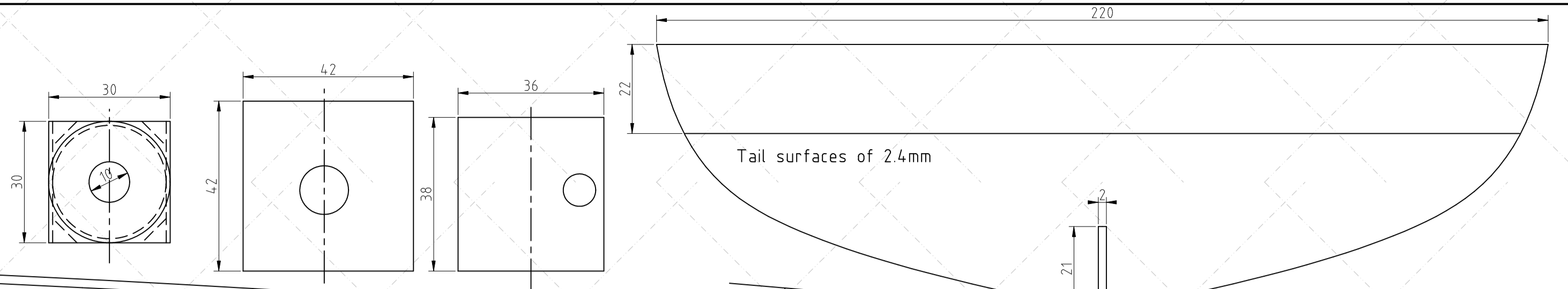
Drawn: Paul L Daniels  
<http://www.pldaniels.com/flying>

Originally Draw: 07-Sep-05  
 Last Revised: 27-Sep-05

10mm	30	50	100

MPJets or Graupner Precision 30mm spinner

Formers are made from balsa 3-laminate ply. Make using 3 layers of 1-1.5mm balsa in a cross grain configuration



Wing is made of soft 6mm balsa carved to shape. Wing covering can be FG/Resin/CA, brownpaper/PVA + film/paint.